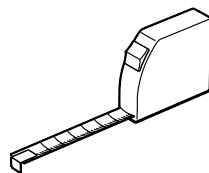
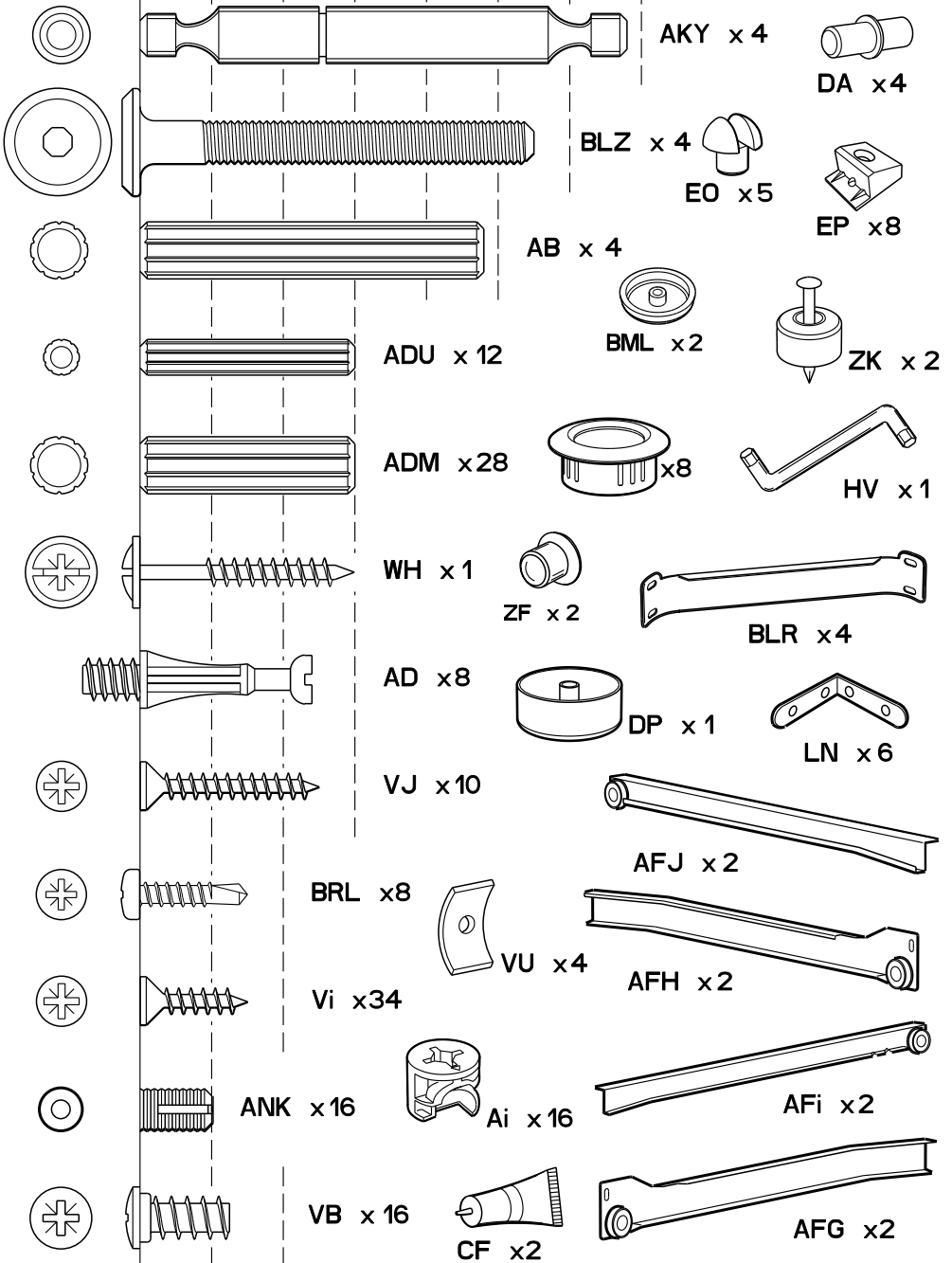
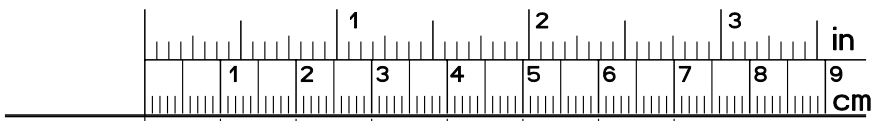
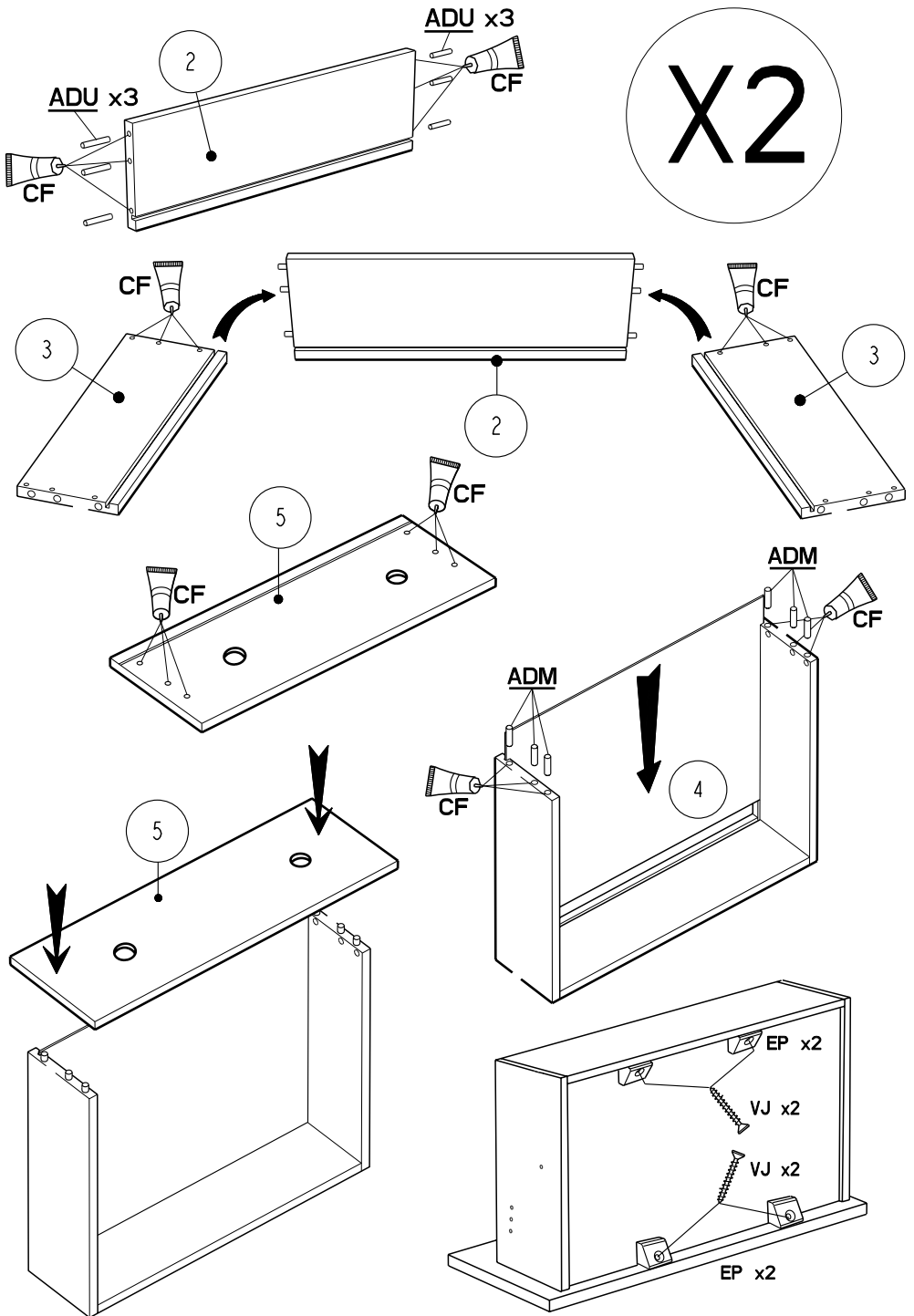


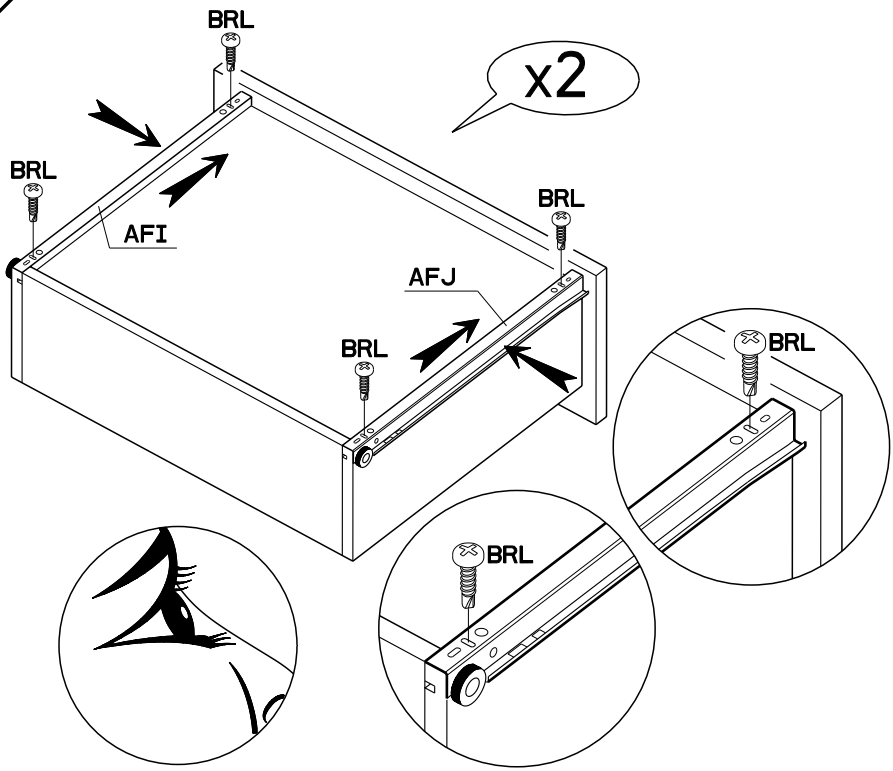
		mm			inch		
⑦	x 1	434	390	16	17 1/16	15 3/8	5/8.
⑧	x 2	954	800	16	37 9/16	31 1/2	5/8.
⑤	x 2	978	186	16	38 1/2	7 5/16	5/8.
⑥	x 4	983	86	16	38 11/16	3 3/8	5/8.
⑬	x 1	1001	86	16	39 7/16	3 3/8	5/8.
⑪	x 2	1001	86	16	39 7/16	3 3/8	5/8.
⑫	x 1	1001	330	16	39 7/16	13	5/8.
⑨	x 1	1001	380	16	39 7/16	14 15/16	5/8.
①	x 2	2000	155	22	78 3/4	6 1/8	7/8.
③	x 4	335	140	13	13 3/16	5 1/2	1/2.
②	x 2	932	140	13	36 11/16	5 1/2	1/2.
④	x 2	943	334	3	37 1/8	13 1/8	1/8.
⑩	x 1	1001	382	3	39 7/16	15 1/16	1/8.



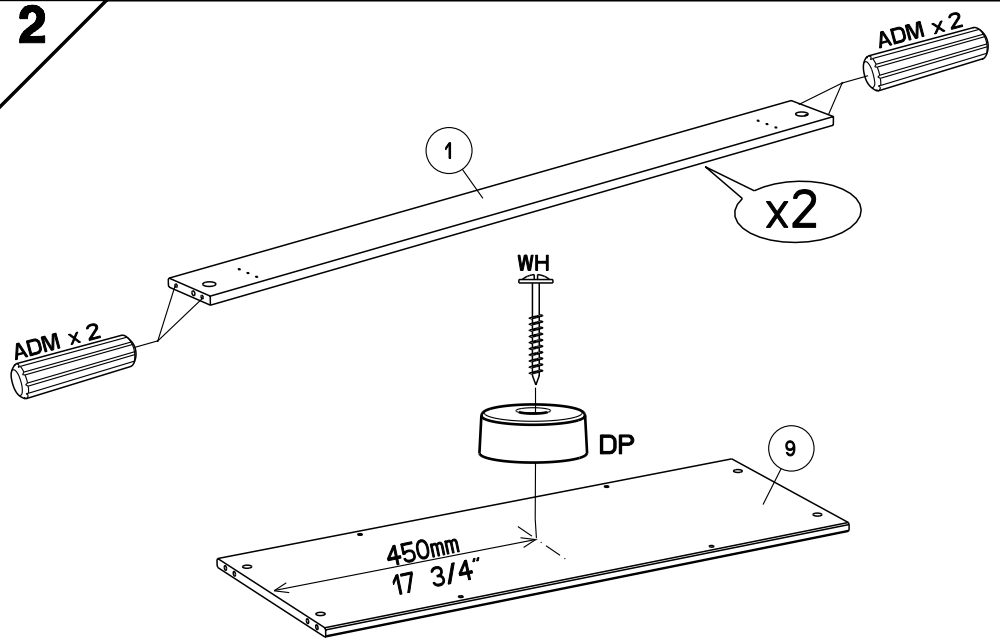


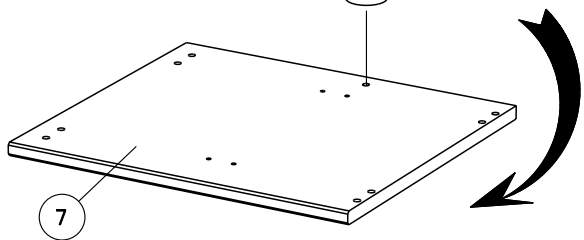
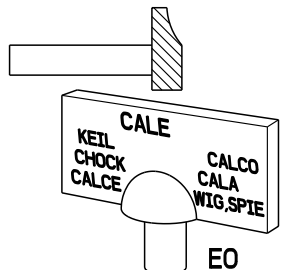
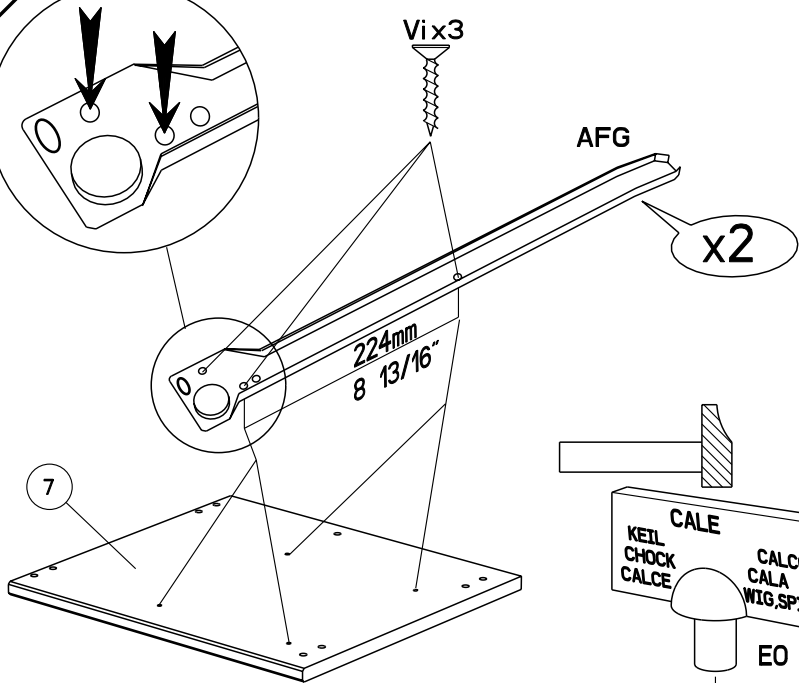
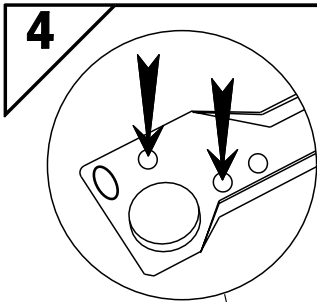
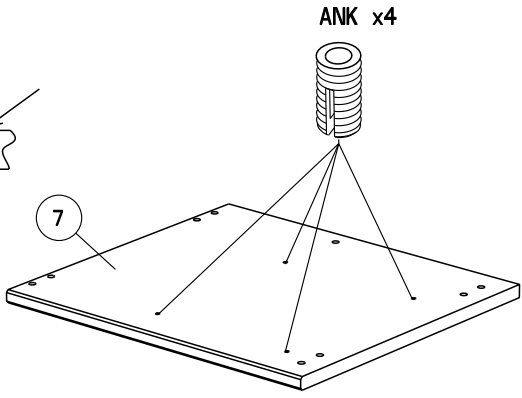
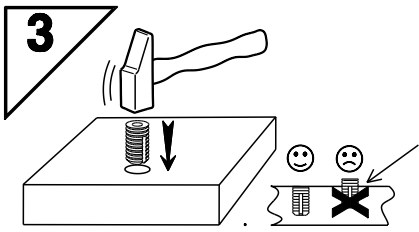


1

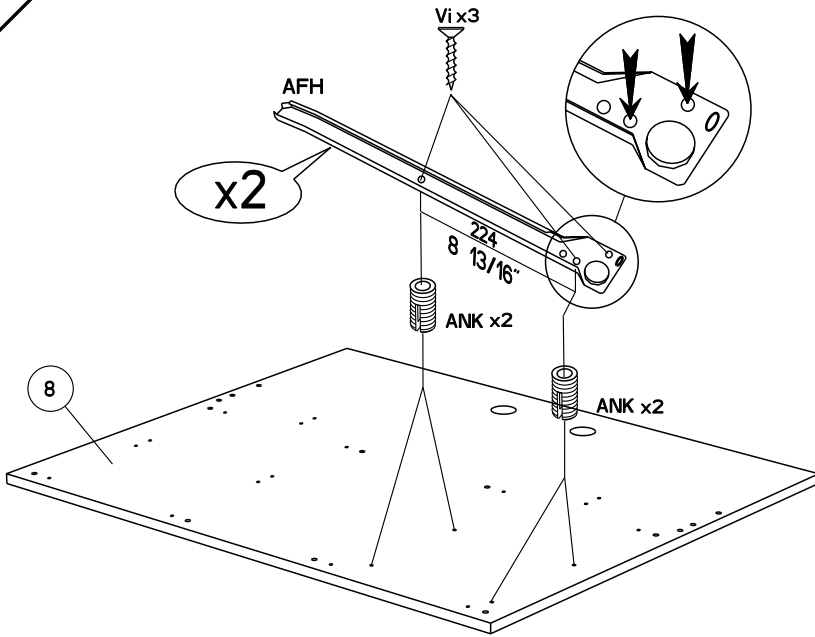


2

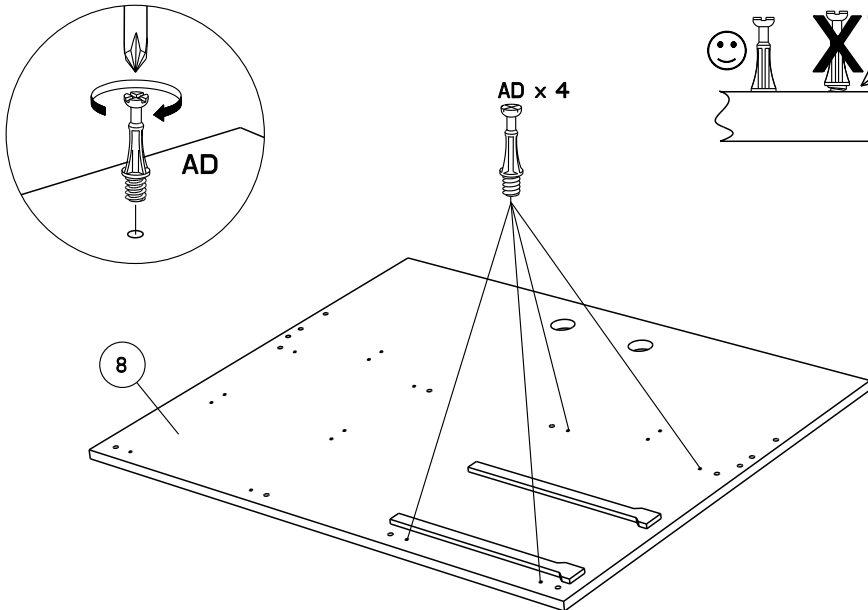




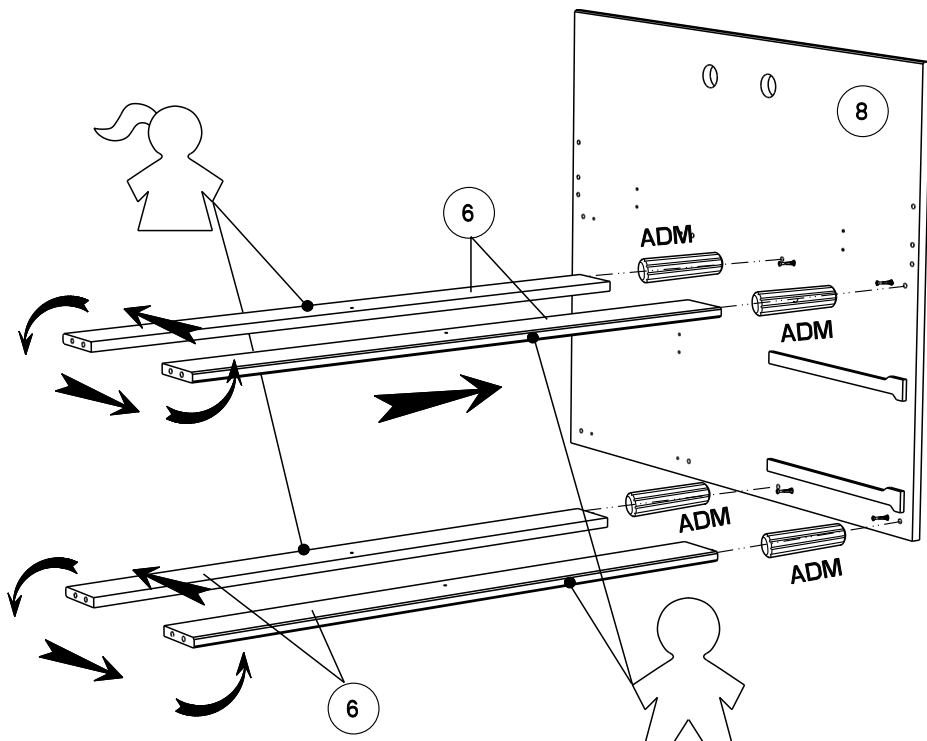
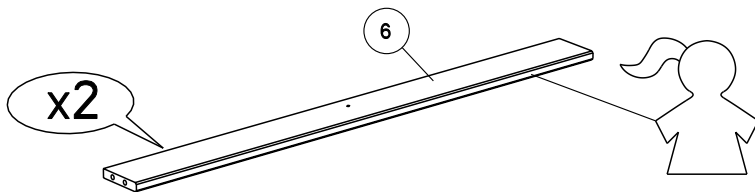
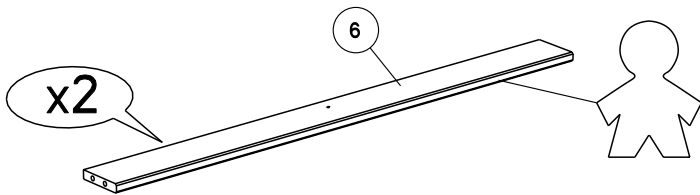
5



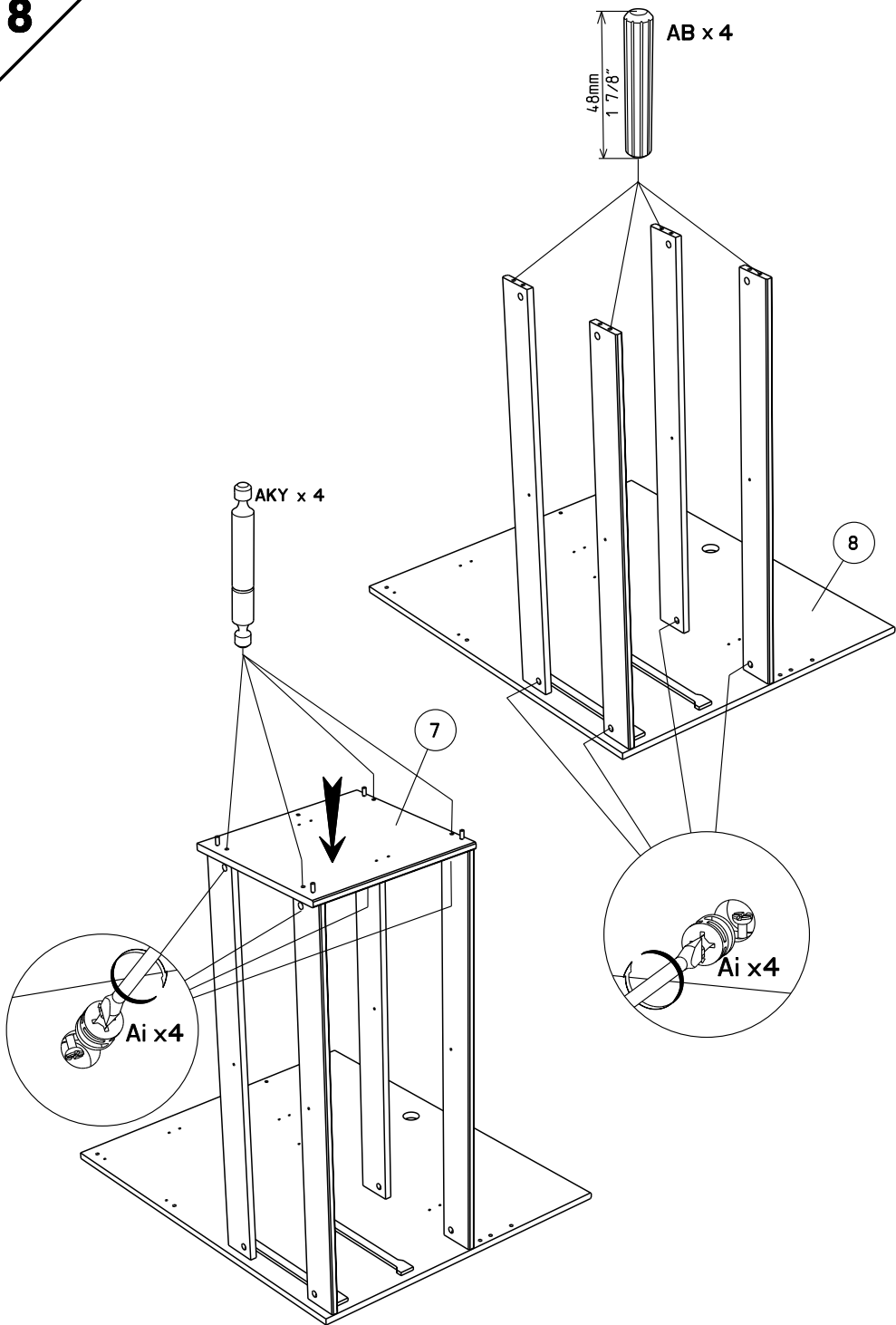
6



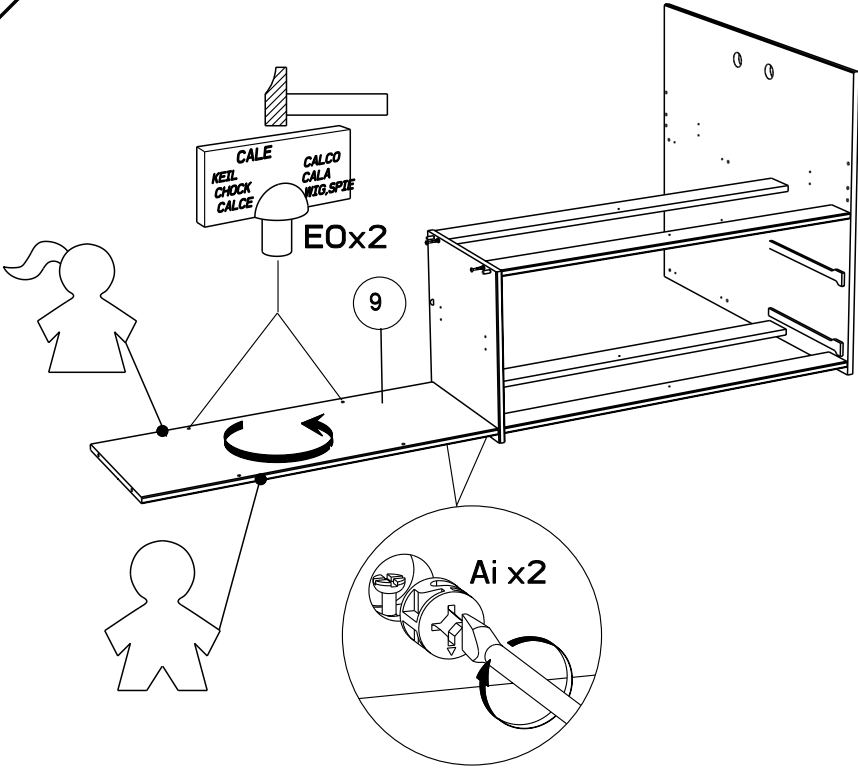
7



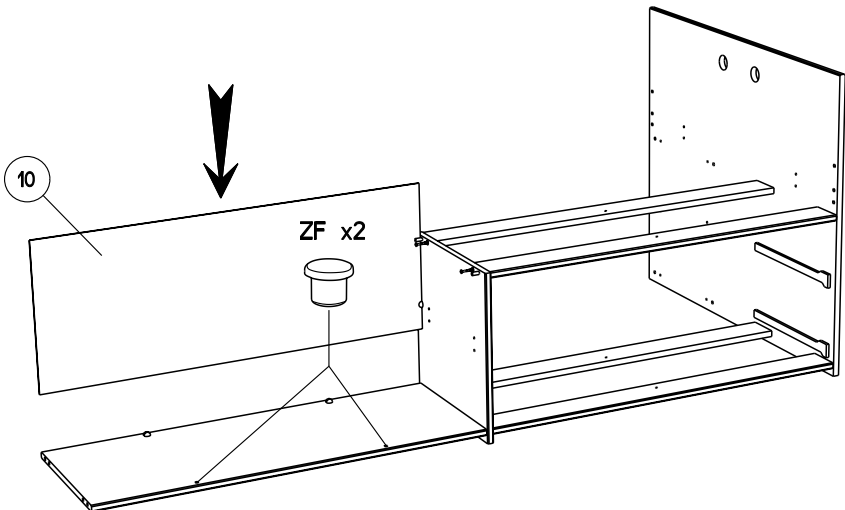
8



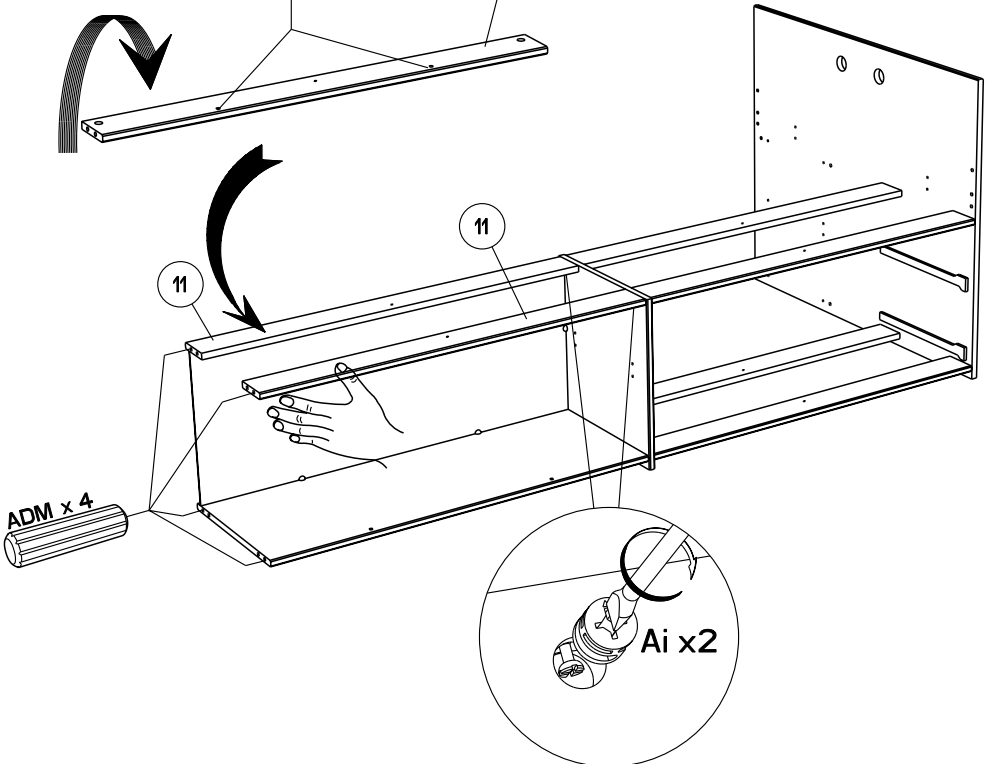
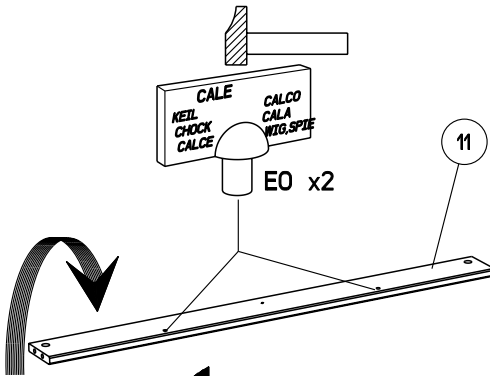
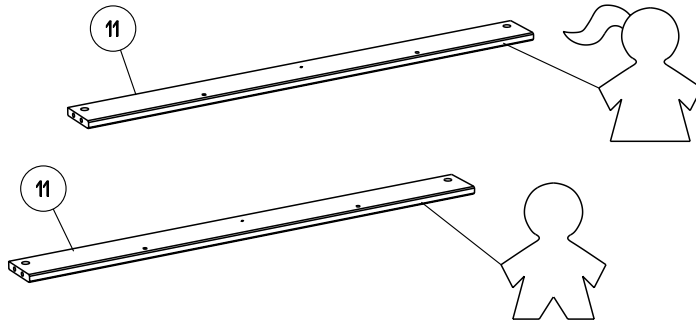
9



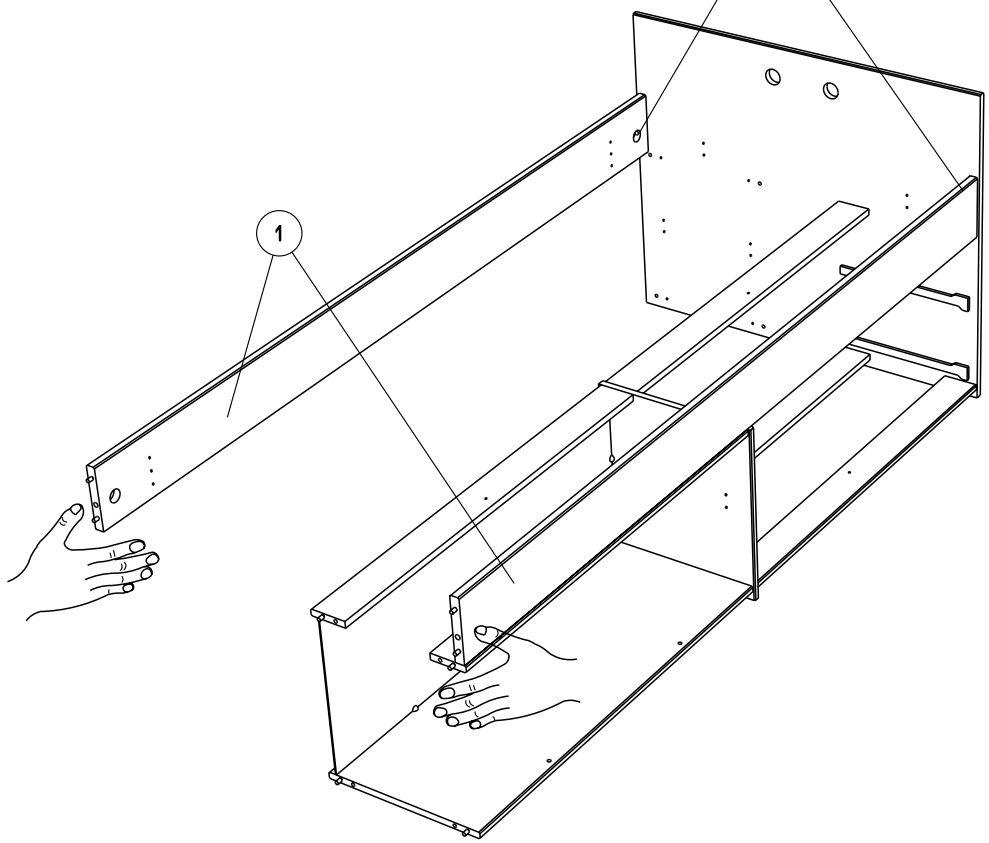
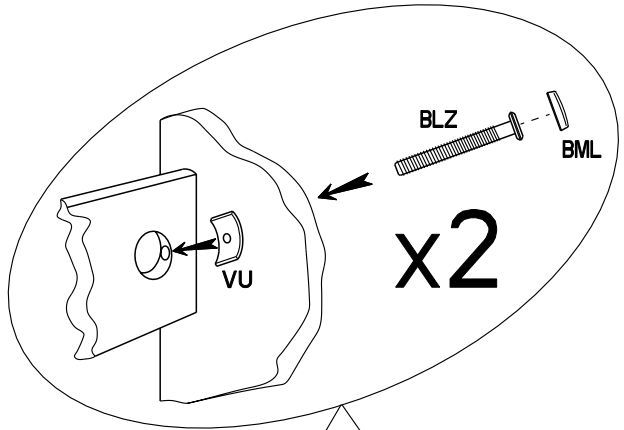
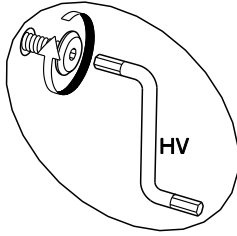
10



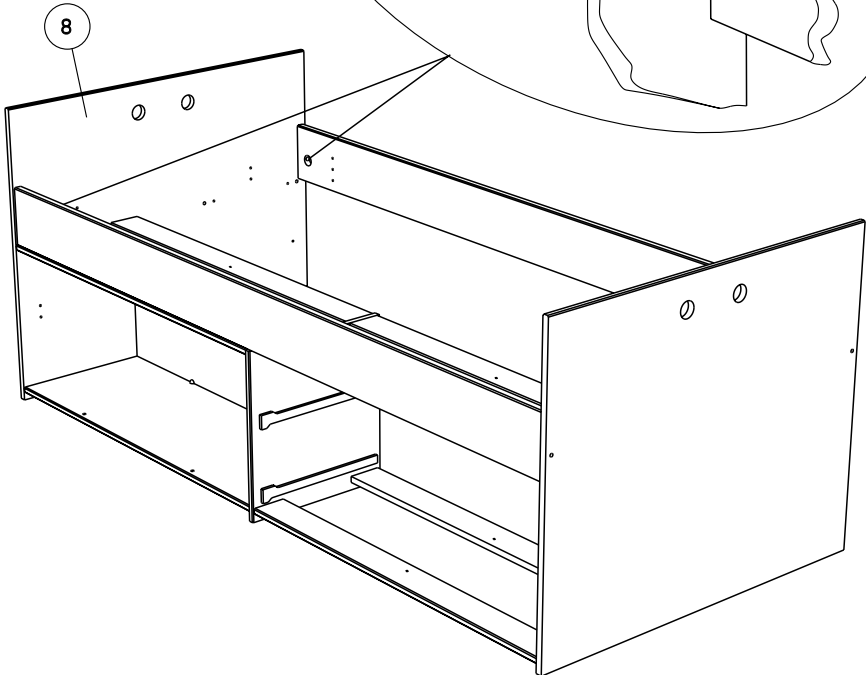
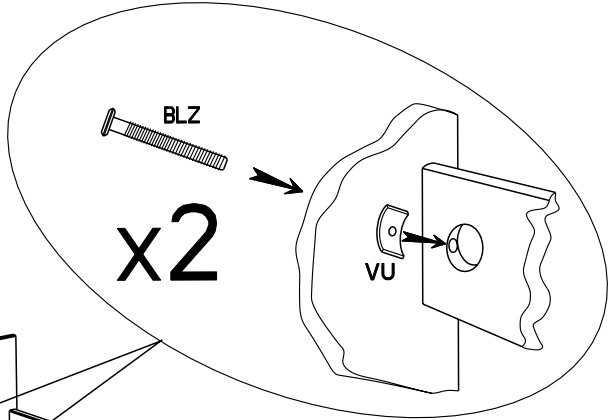
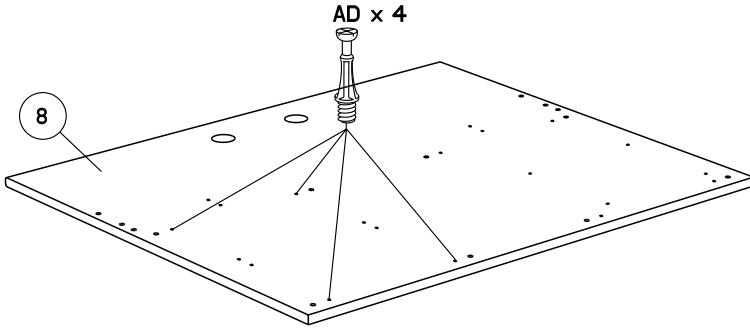
11



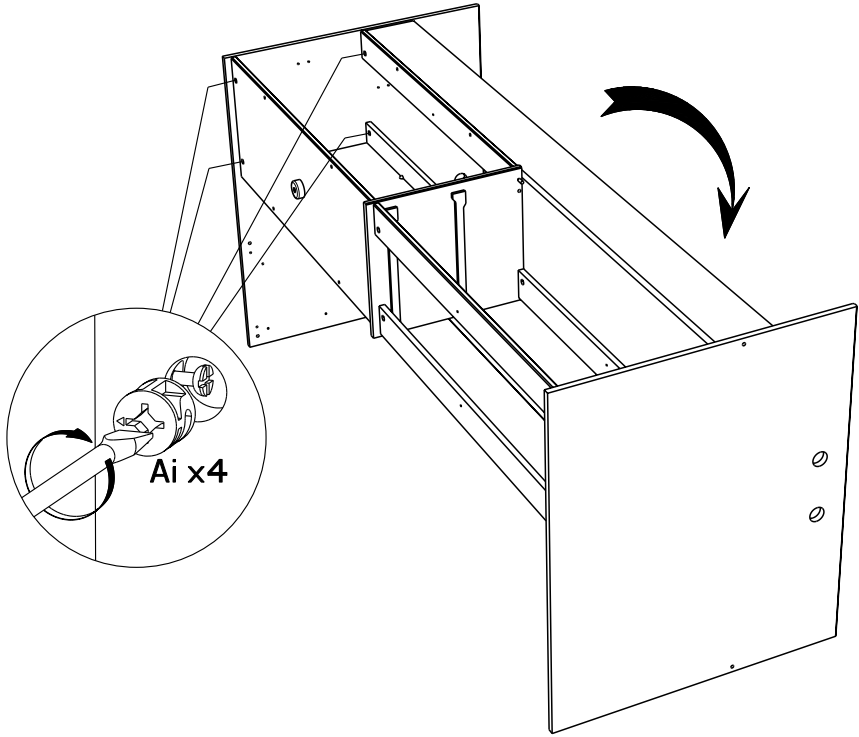
12



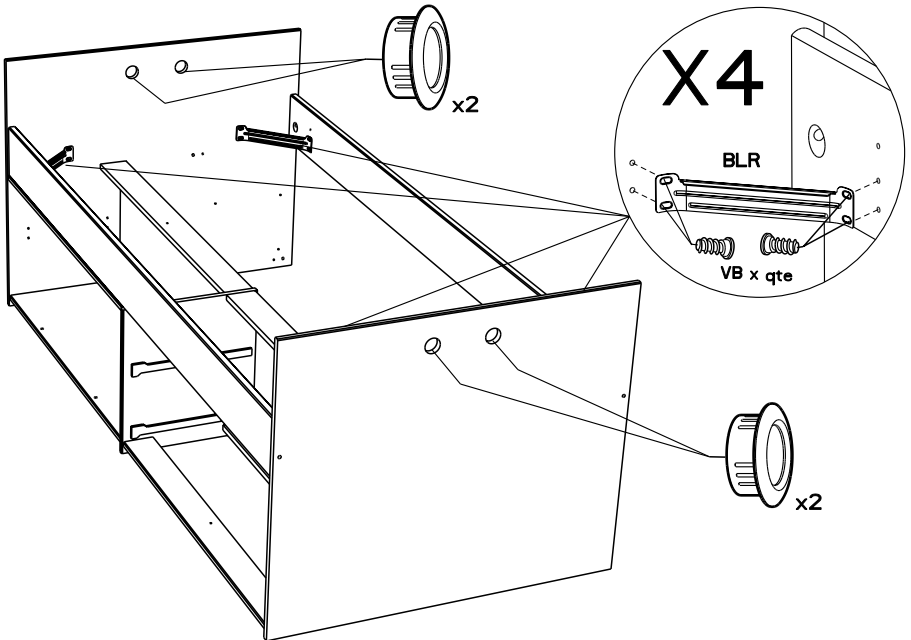
13



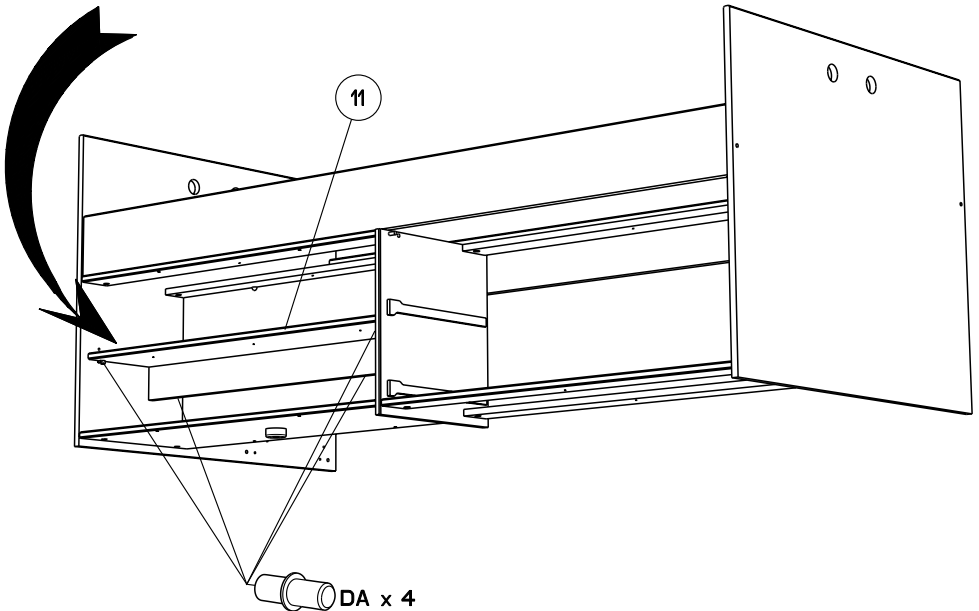
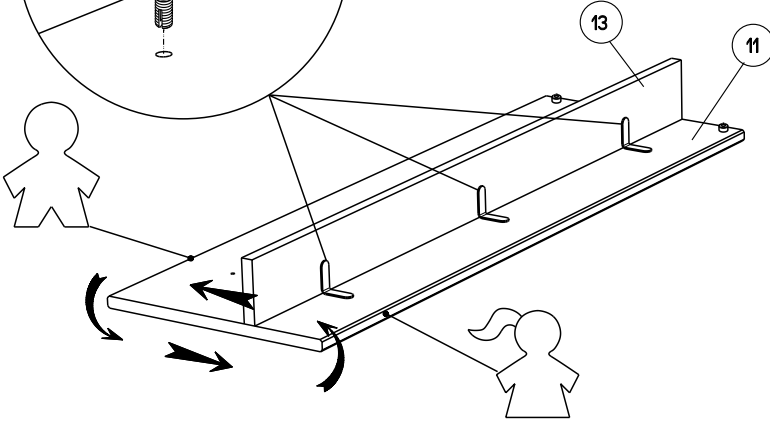
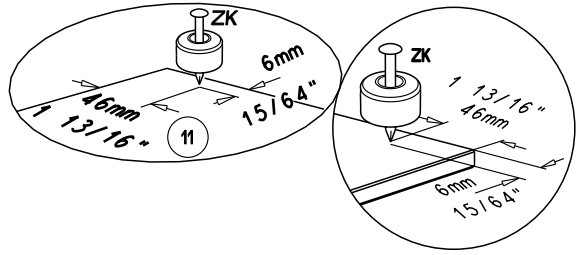
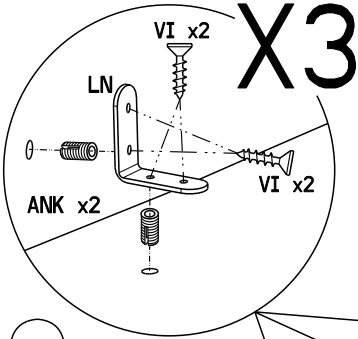
14



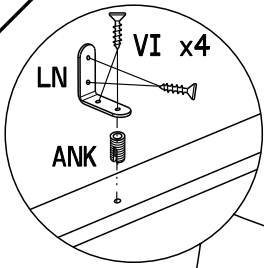
15



16



17



X2

